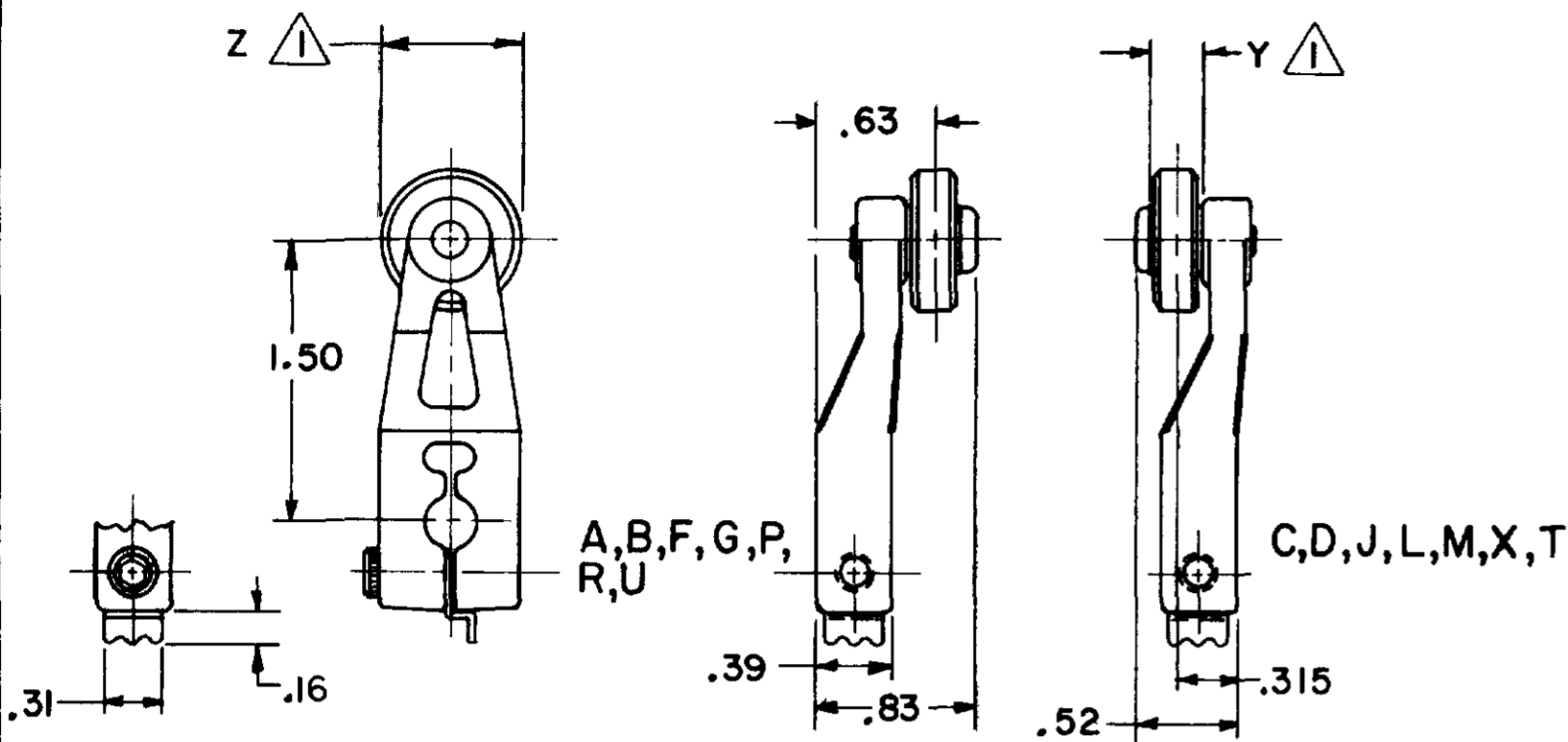


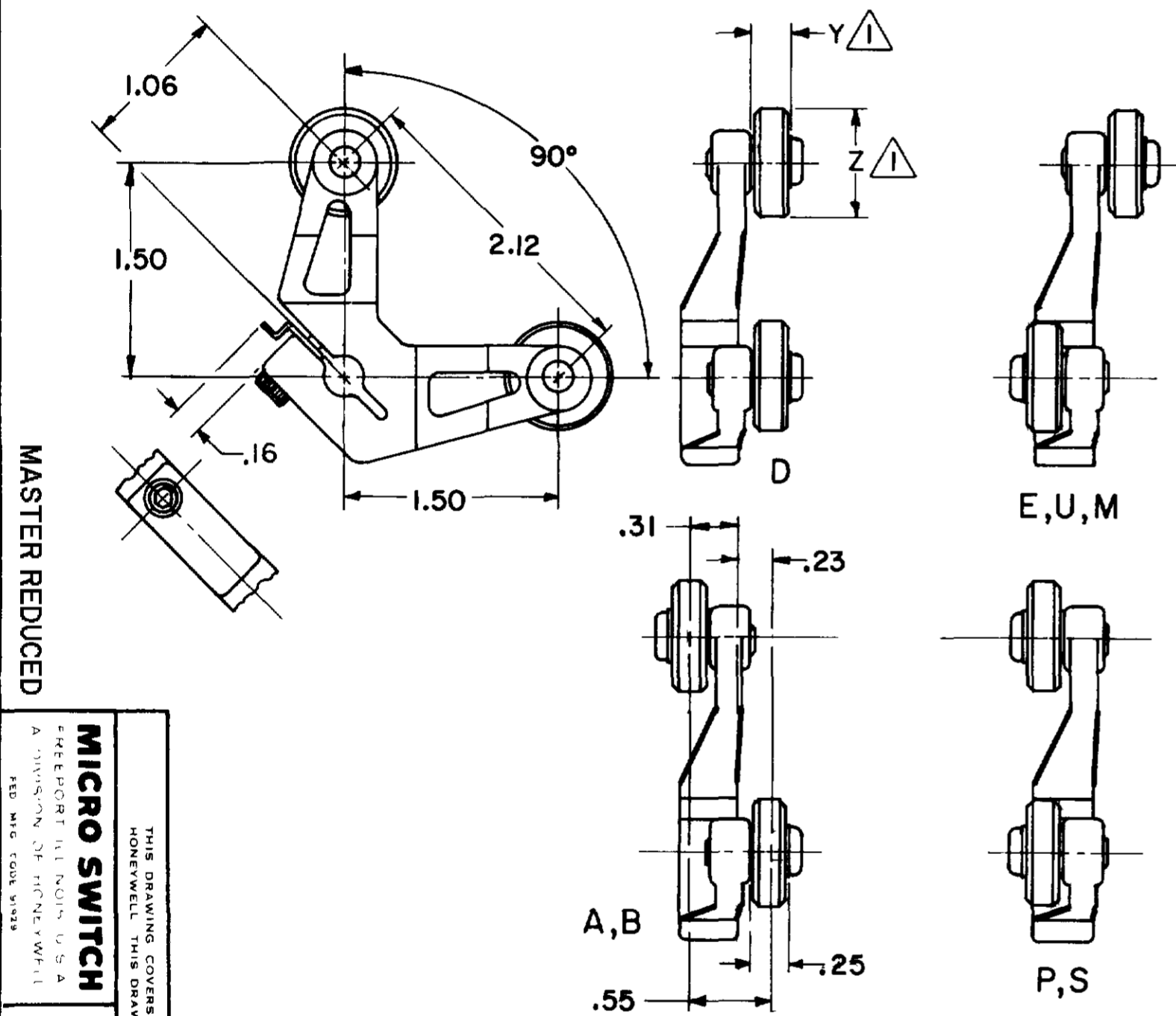
LEVERS FOR ROTARY LIMIT SWITCHES

ALL DIMENSIONS REFERENCE ONLY



CATALOG LISTING	ROLLER	Z DIA	Y WIDTH
LSZ51U	ST STEEL	.750	.575
LSZ51	NONE	---	---
LSZ51A	NYLON	.750	.250
LSZ51B	STEEL	.750	.250
LSZ51C	NYLON	.750	.250
LSZ51D	STEEL	.750	.250
LSZ51F	NYLON	1.000	.520
LSZ51G	NYLON	1.500	.250
LSZ51J	NYLON	1.000	.520
LSZ51L	BALL BEARING	.750	.250
LSZ51M	NYLON	.750	1.250
LSZ51P	NYLON	.750	.500
LSZ51N	STEEL	.750	.250
LSZ51T	ST. STEEL	.750	.375
LSZ51R	NYLON	1.59	.250
LSZ51W	RUBBER	1.60	.50
LSZ51Y	RUBBER	2.00	.50

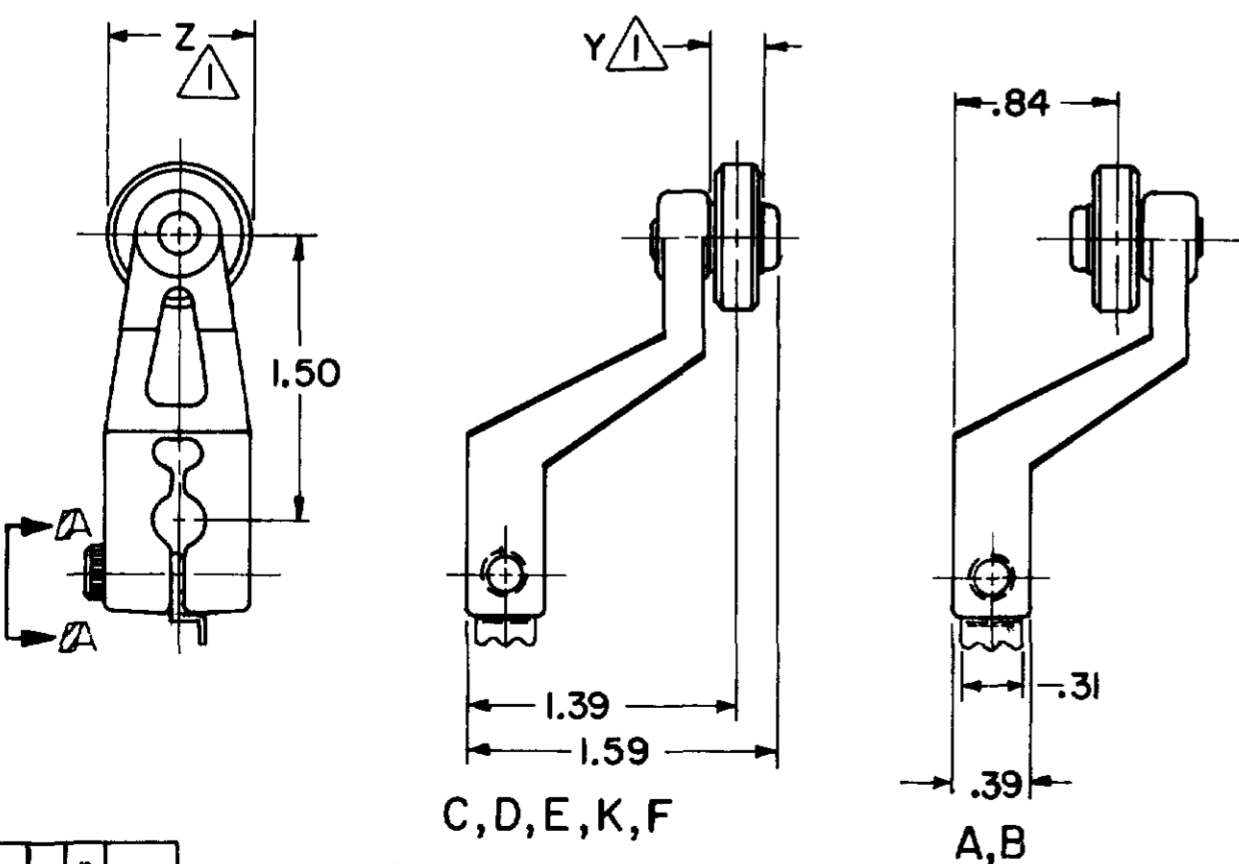
ALL DIMENSIONS REFERENCE ONLY



CATALOG LISTING	ROLLER	Z DIA.	Y WIDTH
LSZ53	NONE	---	---
LSZ53A	NYLON	.750	.250
LSZ53B	STEEL	.750	.250
LSZ53D	STEEL	.750	.250
LSZ53E	NYLON	.750	.250
LSZ53P	STEEL	.750	.250
LSZ53S	NYLON	.750	.250
LSZ53U	STEEL	.750	.250
LSZ53M	NYLON	.750	1.250

NOTES
 1 FOR ADDITIONAL ROLLER WIDTHS AND/OR DIAMETERS, REFER TO THE CHART ON THE RIGHT
 2 ALL SCREWS ARE #8-32 UNC WITH A 9/64 ALLEN HEAD SOCKET
 3 SAME AS 6PA121 (6PA121 NOT SHOWN)

ALL DIMENSIONS REFERENCE ONLY



CATALOG LISTING	ROLLER	Z DIA.	Y WIDTH
LSZ55	NONE	---	---
LSZ55A	NYLON	.750	.250
LSZ55B	STEEL	.750	.250
LSZ55C	NYLON	.750	.250
LSZ55D	STEEL	.750	.250
LSZ55E	NYLON	.750	.500
LSZ55K	NYLON	1.500	.250
LSZ55F	NYLON	1.00	.500
LSZ55W	RUBBER	1.60	.50
LSZ55Y	RUBBER	2.00	.50

MICRO SWITCH
 A DIVISION OF MICRO SWITCHES, INC.
 225 WEST 17TH AVENUE
 DENVER, COLORADO 80202

THIS DRAWING COVERS A PROPRIETARY ITEM AND IS THE PROPERTY OF MICRO SWITCH, A DIVISION OF MICRO SWITCHES, INC. IT IS TO BE USED WITHOUT THE APPROVAL OF MICRO SWITCHES, INC. ANY REPRODUCTION OR USE OF THIS DRAWING WITHOUT THE APPROVAL OF MICRO SWITCHES, INC. IS PROHIBITED.

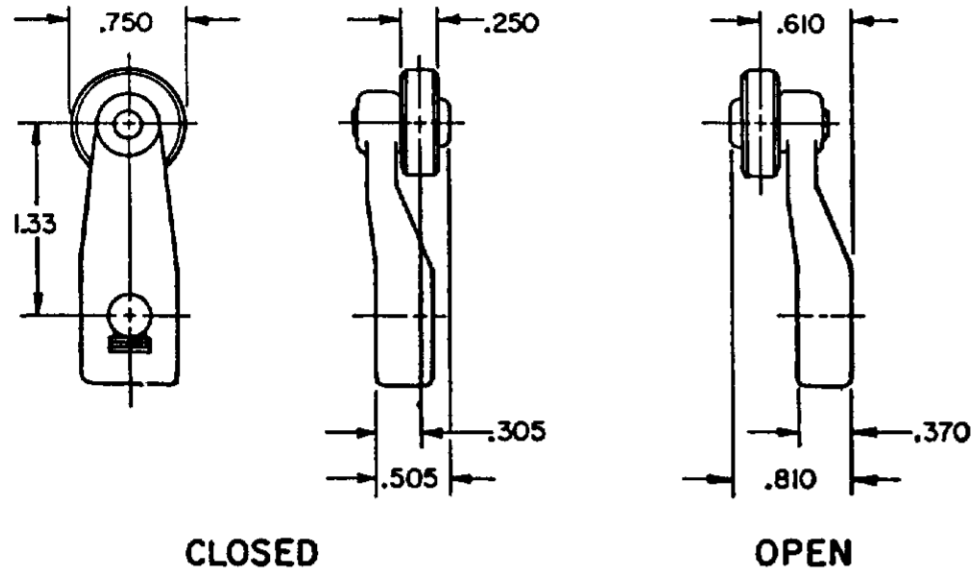
LSZ SERIES
 CHART 1

SCALE FULL
 DO NOT SCALE PRINT
 TYPED AND E PROJECTION
 DESIGN UNITS: INCHES
 TOLERANCES: FRACTIONS: .005, .010, .015, .020, .030, .040, .050, .060, .070, .080, .090, .100, .125, .150, .175, .200, .250, .300, .375, .500, .625, .750, .875, 1.000, 1.250, 1.500, 2.000, 2.500, 3.000, 3.500, 4.000, 4.500, 5.000, 5.500, 6.000, 6.500, 7.000, 7.500, 8.000, 8.500, 9.000, 9.500, 10.000
 DECIMALS: .005, .010, .015, .020, .030, .040, .050, .060, .070, .080, .090, .100, .125, .150, .175, .200, .250, .300, .375, .500, .625, .750, .875, 1.000, 1.250, 1.500, 2.000, 2.500, 3.000, 3.500, 4.000, 4.500, 5.000, 5.500, 6.000, 6.500, 7.000, 7.500, 8.000, 8.500, 9.000, 9.500, 10.000
 WEIGHT: .005, .010, .015, .020, .030, .040, .050, .060, .070, .080, .090, .100, .125, .150, .175, .200, .250, .300, .375, .500, .625, .750, .875, 1.000, 1.250, 1.500, 2.000, 2.500, 3.000, 3.500, 4.000, 4.500, 5.000, 5.500, 6.000, 6.500, 7.000, 7.500, 8.000, 8.500, 9.000, 9.500, 10.000

LSZ SERIES CHART 1

LEVERS FOR ROTARY LIMIT SWITCHES

TYPE LSZ59 LEVER

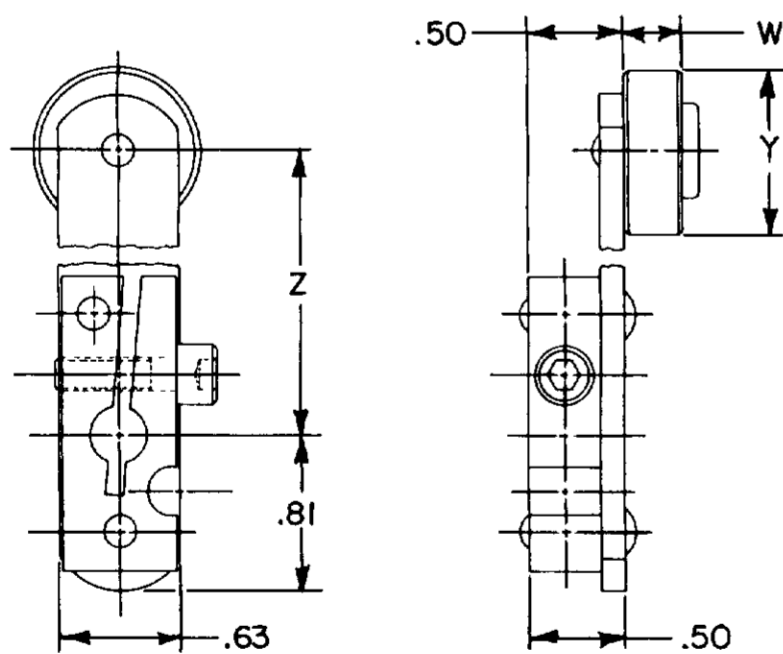


CATALOG LISTING	ROLLER	STYLE	DIA.	WIDTH
LSZ59	NONE	---	----	----
LSZ59A	NYLON	OPEN	.750	.250
LSZ59B	STEEL	OPEN	.750	.250
LSZ59C	NYLON	CLOSED	.750	.250
LSZ59D	STEEL	CLOSED	.750	.250
LSZ59L	BALL BEARING	CLOSED	.750	.250

ALL DIMENSIONS REFERENCE ONLY

MASTER REDUCED

FIXED LEVER TYPE



CATALOG LISTING	ROLLER	W WIDTH	Y DIA	Z LENGTH
ⓐ	NYLON	.300	.875	1.500
ⓑ	NYLON	.300	.875	2.000
ⓒ	NYLON	.300	.875	2.500
ⓓ	NYLON	.300	.875	3.000
ⓔ	NYLON	.300	.875	3.500
ⓕ	NYLON	.300	.875	4.000
LSZ581B	ST. STL	.250	.750	1.500
ⓖ	ST. STL	.250	.750	2.000

NOTE
1 - SCREW IS 10-32 WITH A 5/32 ALLEN HEAD SOCKET

ALL DIMENSIONS REFERENCE ONLY

MICRO SWITCH
A DIVISION OF HONEYWELL
FRED MFG CODE 9122

THIS DRAWING COVERS A PROPRIETARY ITEM AND IS THE PROPERTY OF MICRO SWITCH, A DIVISION OF HONEYWELL. THIS DRAWING IS NOT TO BE COPIED OR USED WITHOUT THE APPROVAL OF MICRO SWITCH.

LSZ SERIES
CHART 1

THIRD ANGLE PROJECTION	SCALE	NONE
DO NOT SCALE PRINT	DESIGN UNITS	INCHES
TOLERANCES	UNLESS OTHERWISE SPECIFIED	
FRACTIONS	1/16, 1/8, 3/16, 1/4, 3/8, 1/2, 5/8, 3/4, 7/8	
DECIMALS	0.0005, 0.001, 0.002, 0.005, 0.010, 0.015, 0.020, 0.030, 0.040, 0.050, 0.060, 0.070, 0.080, 0.090, 0.100	
ANGLES	1/16, 1/8, 3/16, 1/4, 3/8, 1/2, 5/8, 3/4, 7/8	
WEIGHT	UNLESS OTHERWISE SPECIFIED	

M LSZ SERIES CHART 1